



BACKHOE LOADER

TLB840

SPECIFICATIONS

ENGINE

Perkins 1204E-E44TA Tier 4i
 - Wastegate turbocharger
 - Charge air cooling
 - Torque rise 32%
 - Electronic fuel injection

Cylinders	4
Capacity	269 in ³ 4.4 L
Rated speed	2200 rpm
Gross power @ 2200 rpm cert.rating to UN/ECE R120	93.8 hp 70 kW
Derived net rating @ 2200 rpm to ISO/80/1269/EC	88.1* hp 65.7* kW
Max Torque @ 1400 rpm UN/ECE R120 80/1269/EC	295* lb.ft 400* Nm 278* lb.ft 377* Nm

* Nominal Non-certified Values

ELECTRICAL

Wiring and connectors meet IP69 standard

Maintenance free battery

12 volt negative ground

Battery isolator

Jump start posts

120 amp alternator

Blade type fuses

110 A/hr single battery with 920 CCA - EN Standard

170 A/hr dual batteries with 1600 CCA - EN Standard

CAPACITIES

Fuel tank	30.8 gal 140 L
Engine coolant	3.5 gal 16.0 L
Engine oil (including filter)	1.9 gal 8.5 L
Servo Power Synchro Transmission	3.3 gal 15.0 L
Rear axle (including final drives)	3.4 gal 15.5 L
Front axle (including final drives)	2.1 gal 9.5 L
Hydraulic tank	20.4 gal 92.0 L

AXLES AND BRAKES

Outboard planetary final drives for easier servicing
 Foot operated differential lock with 100% lockup
 16° front axle oscillation to maintain maximum ground contact and traction
 High capacity outboard mounted wet disc brakes
 Self equalizing and self adjusting
 Selectable 2 or 4 wheel braking

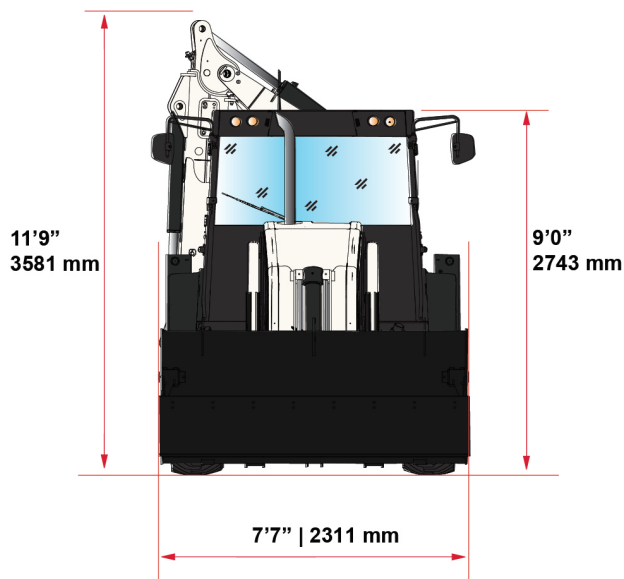
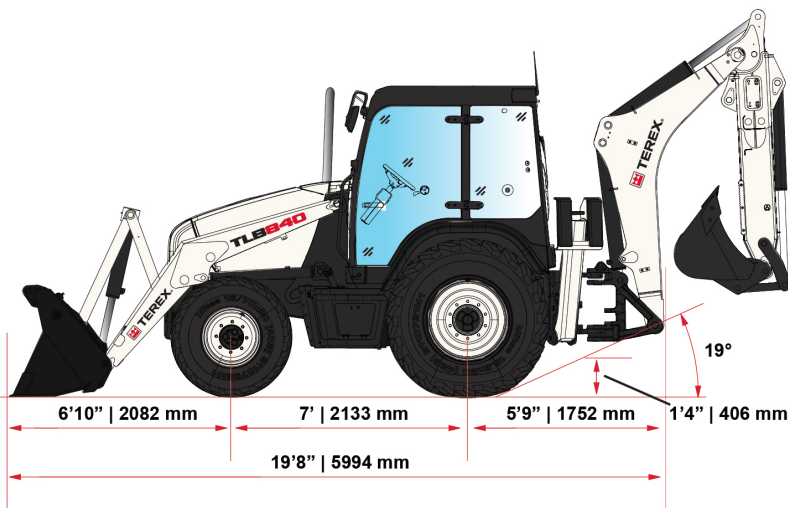
Axle Ratings	Max Static Loading	Max Dynamic Loading
Front	50602 lb 225 kN	20259 lb 90 kN
Rear	42169 lb 187.5 kN	16867 lb 75 kN

OPERATING WEIGHTS

Base Machine Weight	18106 lbs 8230 kg
Add/Delete	
7 in 1 multi-purpose	+ 728 lbs 330 kg
7 in 1 multi-purpose fork kit	+ 330 lbs 150 kg
Front counterweight	+ 92 lbs 42 kg

Base operating weight includes cab, standard loader bucket, standard dipper stick, 24 in | 609 mm bucket, full fuel tank and 165 lb | 75 kg operator.

DIMENSIONS



HYDRAULIC SYSTEM

- Tandem gear pumps with unloader valve
- Closed center control valves (Servo Controls)
- Open center control valves (Mechanical Controls)
- Manually activated pump flows
- Power boost to match digging power and speed to application
- External oil level gauge
- Removable oil cooler
- 125 micron suction strainer
- 10 micron return line filter

Main pump flow @ 2200 rpm	21 gpm 79.5 L/min
Secondary pump flow @ 2200 rpm	16.5 gpm 62.5 L/min
System main relief setting	3625 psi 250 bar
Unloader settings bar	3000 psi 207 bar

WORKS FOR YOU.™

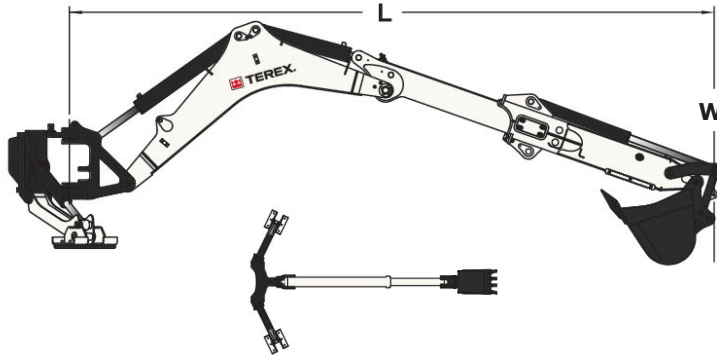


TEREX®

BACKHOE LOADER

TLB840

EXTENDABLE DIPPER

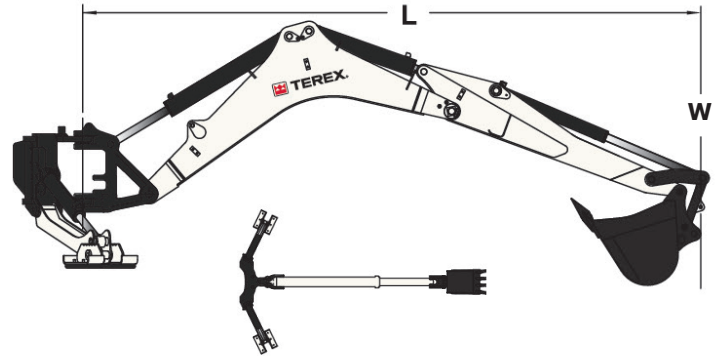


9'3"	12'2"	14'1"	18'0"	17'0"	18'6"
2.8 m	3.7 m	4.3 m	4.8 m	5.2 m	5.8 m
2555 lb	2136 lb	2087 lb	2076 lb	2037 lb	1968 lb
1159 kg	969 kg	947 kg	942 kg	924 kg	893 kg



9' 2"	12' 1"	14' 1"	15' 6"	17"	19"
2.8 m	3.7 m	4.3 m	4.8 m	5.2 m	5.8 m
2555 lb	2136 lb	1675 lb	1298 lb	1100 lb	917 lb
1159 kg	969 kg	760 kg	589 kg	499 kg	416 kg

STANDARD DIPPER



9'3"	12'0"	13'6"	14'6"	16'0"
2.8 m	3.6 m	4.1 m	4.4 m	4.8 m
3018 lb	2943 lb	2965 lb	3024 lb	3201 lb
1369 kg	1335 kg	1345 kg	1372 kg	1452 kg



9' 3"	11' 7"	13' 6"	14' 3"	15' 6"
2.8 m	3.6 m	4.1 m	4.4 m	4.8 m
3018 lb	2943 lb	2253 lb	1931 lb	1706 lb
1369 kg	1335 kg	1022 kg	876 kg	774 kg

BACKHOE PERFORMANCE

	Retracted	Extended
	HD Bucket	HD Bucket
Max slew torque	18675 lbf-ft	18675 lbf-ft
Dipper tearout kN (lbf) (SAE J49 Standard)	7961 lbf 35.4 kN	5892 lbf 26.3 kN
Bucket tearout kN (lbf) (SAE J49 Standard)	11807 lbf 52.5 kN	11807 lbf 52.5 kN
Speed Dig		
Power Dig	13516 lbf 60.1 kN	13516 lbf 60.1 kN

LOADER PERFORMANCE

	Standard Bucket	7 in 1 Bucket
Bucket breakout	10485 lbf 46.5 kN	10097 lbf 44.8 kN
Arms breakout	10329 lbf 46.0 kN	9597 lbf 42.3 kN
Lift capacity to full height	7291 lbs 3307 kg	6563 lbs 2977 kg

Loader specifications are stated in accordance with ISO 14397 and EN474 Part 4

TURNING CIRCLES

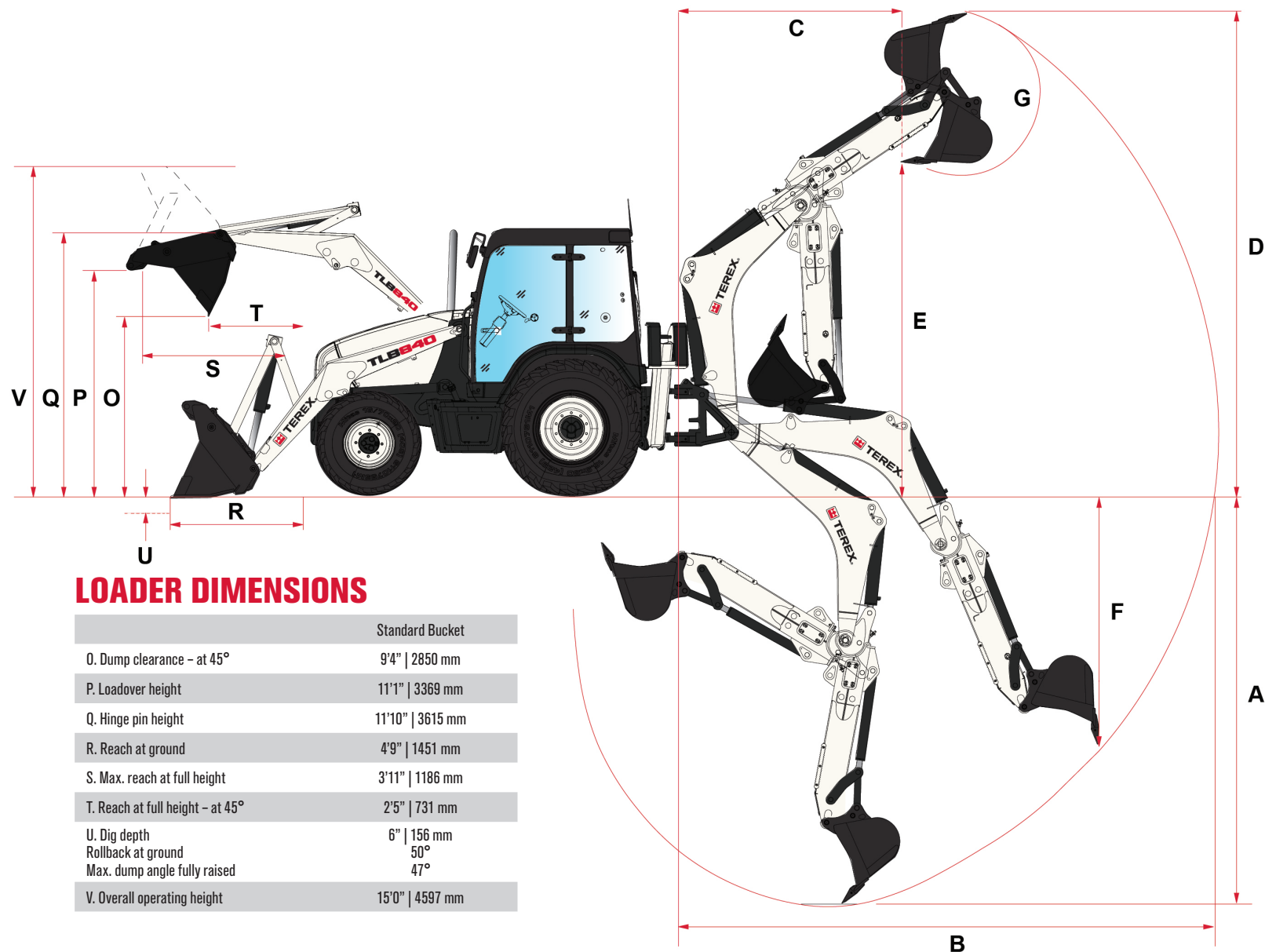
	Over tires	Over bucket
Without brakes	25'9" 7.9 m	34'7" 10.6 m
With brakes	23'0" 7.0 m	31'10" 9.7 m
Depending on tire size		

BACKHOE BUCKETS

Bucket	Width	Capacity	Weight
Heavy duty	12 in 305 mm	2.96 ft ³ 0.084 m ³	247 lbs 112 kg
	18 in 450 mm	4.96 ft ³ 0.140 m ³	282 lbs 128 kg
	24 in 600 mm	7.15 ft ³ 0.203 m ³	335 lbs 152 kg
	30 in 750 mm	9.38 ft ³ 0.266 m ³	383 lbs 174 kg
	36 in 900 mm	11.66 ft ³ 0.330 m ³	436 lbs 198 kg

LOADER BUCKETS

	Standard Bucket	7 in 1 Bucket
Width	7.7 ft 2311 mm	7.7 ft 2311 mm
Capacity	1.32 yd ³ 1.0 m ³	1.32 yd ³ 1.0 m ³
Weight	880 lbs 400 kg	1606 lbs 730 kg



LOADER DIMENSIONS

	Standard Bucket
O. Dump clearance - at 45°	9'4" 2850 mm
P. Loadover height	11'1" 3369 mm
Q. Hinge pin height	11'10" 3615 mm
R. Reach at ground	4'9" 1451 mm
S. Max. reach at full height	3'11" 1186 mm
T. Reach at full height - at 45°	2'5" 731 mm
U. Dig depth	6" 156 mm
Rollback at ground	50°
Max. dump angle fully raised	47°
V. Overall operating height	15'0" 4597 mm

BACKHOE DIMENSIONS

		Deep Dig Dipper	
		Retracted	Extended
A. Dig depth	Maximum SAE	14'4" 4371 mm	17'8" 5390 mm
	Flat Bottom SAE	14'2" 4324 mm	17'6" 5344 mm
B. Reach - ground level to		18'9" 5703 mm	21'10" 6666 mm
C. Loading reach		7'6" 2280 mm	10'3" 3120 mm
D. Operating height		17'1" 5211 mm	19'0" 5794 mm
E. Loading height SAE		11'11" 3635 mm	13'10" 4215 mm
	Max dumping height	11'4" 3465 mm	13'3" 4044 mm
F. Maximum straight wall dig depth		8'10" 2685 mm	11'11" 3635 mm
G. Bucket rotation degrees	Speed	196°	196°
	Power	166°	166°
Total sideshift		3'10" 1178 mm	3'10" 1178 mm
Stabiliser spread		6'11" 2115 mm	6'11" 2115 mm
Max. Levelling angle degrees		8°	8°

WORKS FOR YOU.™



BACKHOE LOADER TLB840

TRANSMISSION

- 4 speed synchro shuttle gearbox
- Modulated forward and reverse clutch packs enable smooth direction changes
- De-clutch button on shift lever
- Direction control with neutral safety interlock
- Single stage torque converter with 3.01:1 stall ratio

Tires
Front: 12.5 x 18
Rear: 19.5 x 24

Travel Speeds	
Forward/Reverse	
1st	3.6 mph 5.7 Km/h
2nd	5.7 mph 9.2 Km/h
3rd	12.6 mph 20.3 Km/h
4th	25.1 mph 40.5 Km/h

- 4 speed servo power synchro
- Automatic and manual shifting in all 4 gears
- Push button kickdown and kick up in 1st and 2nd gear
- Auto drop down from 4th to 3rd and back
- Single stage torque converter with 3.01:1 stall ratio

Tires
Front: 12.5 x 18
Rear: 19.5 x 24

Travel Speeds	
Forward	
1st	3.6 mph 5.7 Km/h
2nd	5.7 mph 9.2 Km/h
3rd	12.6 mph 20.3 Km/h
4th	25.1 mph 40.5 Km/h
Reverse	
1st	3.6 mph 5.7 Km/h
2nd	5.7 mph 9.2 Km/h
3rd	12.6 mph 20.3 Km/h

OPTIONAL EQUIPMENT

Loader Options	Pallet Forks with Safe Working Load of 2205 lbs (1000 kgs)
	Hose Burst Valves
	Mechanical Quick Attach
	Ride Control
Backhoe Options	Hydraulic and Mechanical Quick Attach
	Two Auxiliary Circuits with Single and Double Acting Operation
	Excavator Buckets with Wide Variety of Sizes & Configurations
	Object Handling Kit*
ROPS Canopy Option	3 in 76.2 mm Seat Belt
Cab Options	Air Conditioning 22432 btu/hr (6.57 kW cooling)
	Premium High Back Seat, Heated with Air Suspension
General Options	Front Fenders

Terex Construction

8800 Rostin Road
Southaven, MS 38671 USA
Tel +1 | 888 90-TEREX
www.terex.com/construction

Distributed By:

www.terex.com/construction

Effective Date: July 2014. Product specifications and prices are subject to change without notice or obligation. The photographs and/or drawings in this document are for illustrative purposes only. Refer to the appropriate Operator's Manual for instructions on the proper use of this equipment. Failure to follow the appropriate Operator's Manual when using our equipment or to otherwise act irresponsibly may result in serious injury or death. The only warranty applicable to our equipment is the standard written warranty applicable to the particular product and sale and Terex makes no other warranty, express or implied. © 2014 Terex Construction. Terex, Terex Crown Design, and Works For You are trademarks owned or licensed by Terex Corporation or its subsidiaries.